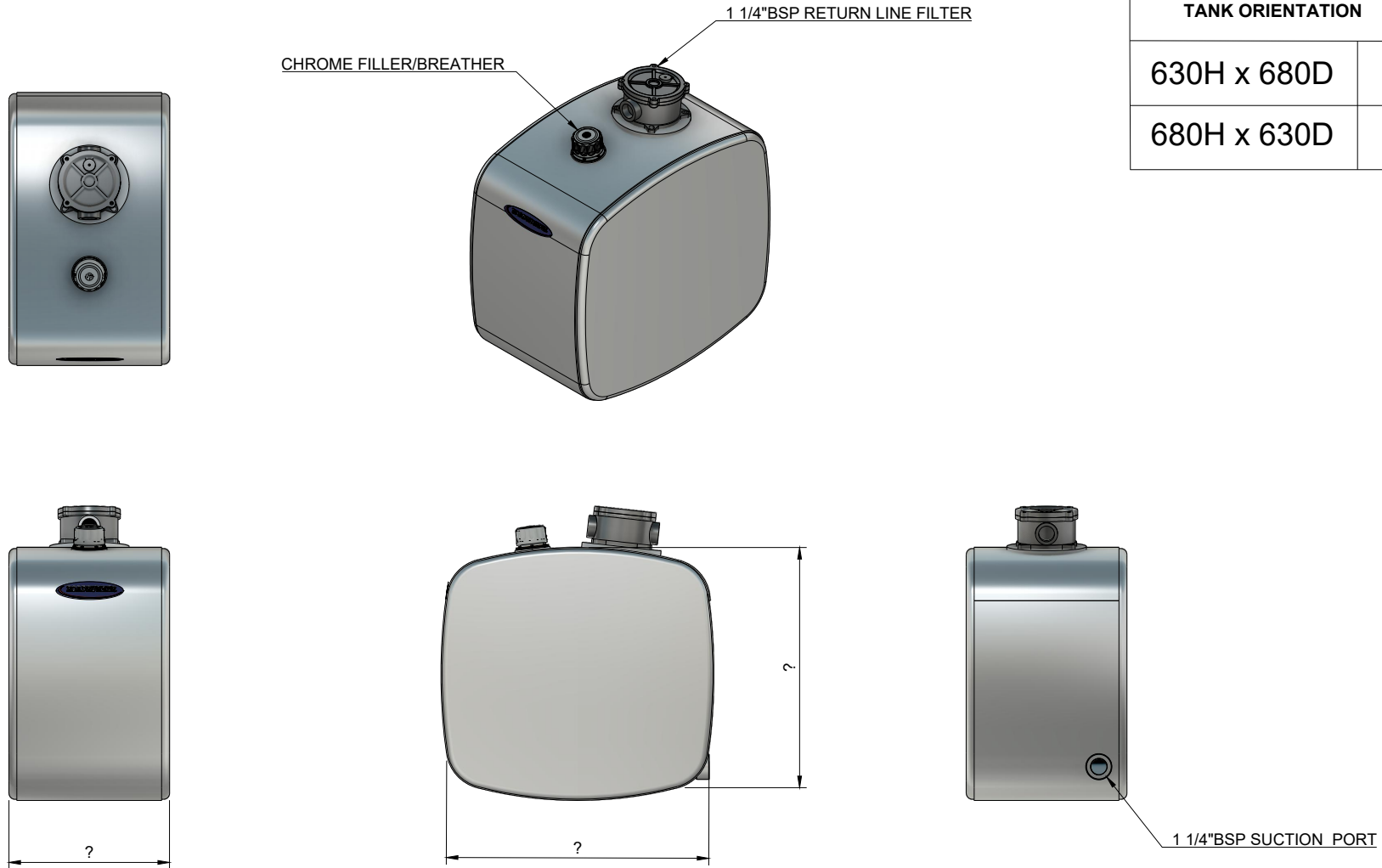


DIRECTORY:

ISSUE	DETAILS	DATE
A	TO BE APPROVED FOR MANUFACTURE	

FITTING POSITIONS SHOWN ARE STANDARD. PLEASE INDICATE WITH DIMENSIONS IF REQUIRED IN A DIFFERENT LOCATION.



THIS DRAWING AND/OR ELECTRONIC MEDIA CONTAINING THIS DRAWING REMAIN THE PROPERTY OF ROADRUNNER MANUFACTURING LTD. IT MAY NOT BE COPIED OR USED IN ANY UNORTHERISED MANNER

ROADRUNNER
ROADRUNNER MANUFACTURING (NZ) LIMITED



CLIENT:		SHEET: 1/1	
TITLE: OV SQ Hydraulic Tank - Spec Sheet	DATE:	SCALE: 1:10	ISSUE:
DRAWN BY: Steve Tunncliffe	PRODUCT CODE:	JOB NUMBER	